



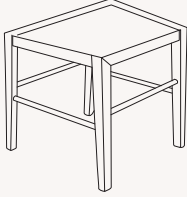
REZ
FURNITURE

VLS Counter-Height Stool Assembly Instructions

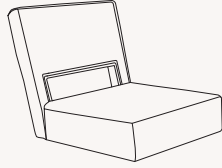
Recommendations

N.B: It is important to carefully read all instructions before beginning the assembly and before use of the furniture.
**Periodically tighten all allen screws for optimal sturdiness of legs or base.

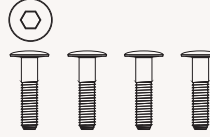
Keep the assembly instructions for future use.



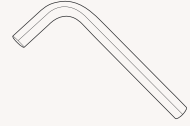
1 Base



1 Seat



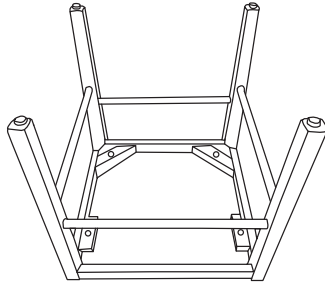
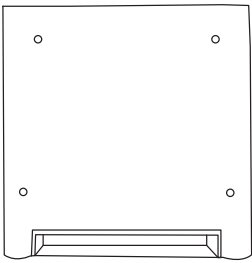
4 Connecting Screws
(60 mm)



1 Allen key
(5/16")

Step 1:

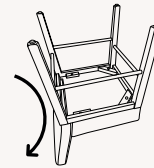
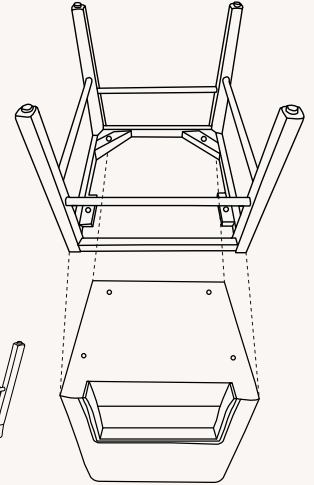
Remove the product packaging and place the seat face down. Identify the 4 holes located at each corner of the seat.



Step 2:

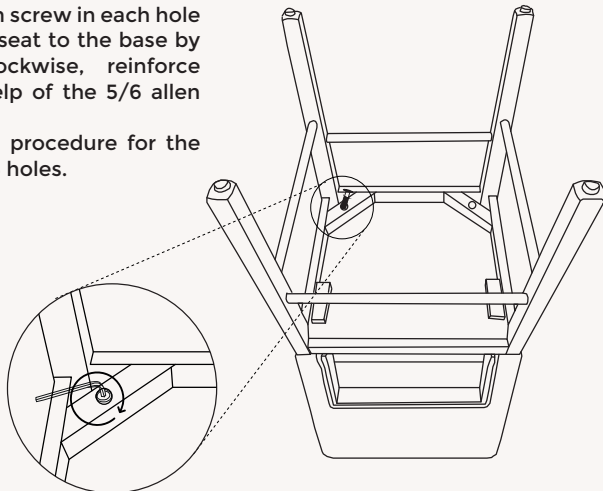
Remove the base of the VLS Counter-Height Stool and place it on the seat. Remove the base of the VLS Counter-Height Stool and place it on the seat so that the 4 holes in the base and the 4 holes in the seat match.

Attention: For correct assembly, it is important that the brackets under the seat are on the opposite side to the back of the bench as shown in the picture. As a recommendation, follow the inclined angle of the seat with the legs. See image.



Step 3:

Insert 1 allen screw in each hole joining the seat to the base by turning clockwise, reinforce with the help of the 5/6 allen wrench. Repeat this procedure for the remaining 3 holes.



Step 4:

Once the base is attached to the seat, rotate the VLS Counter-Height Stool and place it on the floor to check the level and design of the stool.

